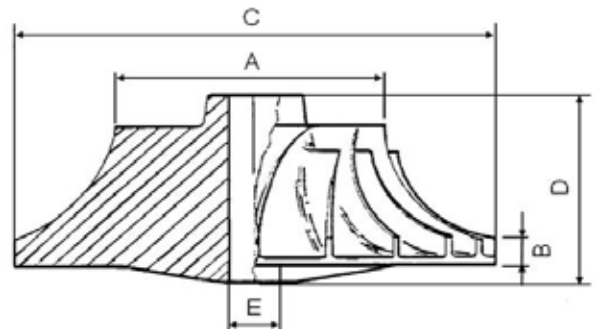


Compressor wheel



KKK							
KODE No.	Model	OEM P/N	Description	A Inducer Diameter	B Tip Height	C Exducer Diameter	Blades
322	K16	Billet CW	Super back				6 long 6 short
322-1	K16	5324-123-2039	Super back				6 long 6 short
455	K24		Super back				7 long 7 short
441	K24	5324-123-2017	Flat back				6 long 6 short
392	K24	5324-123-2000 5324-123-2014 5324-123-2017	Flat back				6 long 6 short
321	K24	5326-123-2210	Super back				7 long 7 short
576	K24	5324-123-2206	Mix-flow style				6 long 6 short
436	K27		Super back				7 long 7 short
199	K27	5327-123-2309 5327-123-2226	Super back				7 long 7 short
477	K27	Billet CW	Super back				7 long 7 short
403	K27	5070-123-2065	Super back				7 long 7 short
223	K27	5327-123-2035 5327-123-2227	Super back				7 long 7 short
365	K27		Flat back				7 long 7 short
476	K27		Super back				7 long 7 short
459	K27	5327-123-2225	Super back				7 long 7 short
323	K27		Super back				7 long 7 short
328	K28	Radial wheel	Flat back				6 long 6 short
423	K29	5329-123-2228	Super back				6 long 6 short
347	KP35	5435-123-2002 5435-123-2007	Super back <i>Fit turbos</i> 5435-970-0001 5435-970-0007 5435-970-0009				5 long 5 short

KKK							
KODE No.	Model	OEM P/N	Description	A Inducer Diameter	B Tip Height	C Exducer Diameter	Blades
538	K31	5333-123-2019	Super back <i>Fit turbo</i> 5333-970-6490				7 long 7 short
388	K33	5336-123-2025	Super back				7 long 7 short
269	K33	5336-123-2020 <i>Bore: 7.938mm</i>	Super back				7 long 7short
270	K36	5336-123-2028	Flat back				7 long 7 short
272	K36	312120 Radial wheel	Flat back				6 long 6 short
417	K37	5337-123-2027	Super back				7 long 7 short
416	K37	5337-123-2026	Super back				7 long 7 short
548	KP31	5431-123-0001	Flat back				5 long 5 short
526	KP31		Flat back				5 long 5 short
379	KP35		Flat back				5 long 5 short
255	KP35	5435-123-2005	Super back <i>Fit turbos</i> 5435-970-0005 5439-970-0006				5 long 5 short
475	KP35	5435-123-2009	Super back <i>Fit turbos</i> 5435-970-0014 5435-970-0015				5 long 5 short
109	KP35		Flat back				5 long 5 short
370	KP35		Super back				5 long 5 short
294	KP39	5439-123-2001	Flat back <i>Fit turbos</i> 5435-970-0000 5435-970-0002 5435-970-0003				5 long 5 short
505	KP/BV39	5443-123-2010	Super back <i>Fit turbo</i> 5439-970-0049				5 long 5 short
566	KP/BV39	5443-123-2020	Super back <i>Fit turbo</i> 5439-970-0027				6 long 6 short
400	KP/BV39	5443-123-0031	Super back				6 long 6 short
594	KP/BV39	<i>Fit turbo</i> 5439-970-0072	Super back <i>Mix-flow style</i>				5 long 5 short
368	KP/BV39	5443-123-2007	Flat back <i>Fit turbos</i> 5439-970-0005 5439-970-0012 5439-970-0016 5439-970-0023 5439-970-0047 5439-970-0083				6 long 6 short
521	K03		Super back				6 long 6 short

KKK							
KODE No.	Model	OEM P/N	Description	A Inducer Diameter	B Tip Height	C Exducer Diameter	Blades
295	KP/BV39	5443-123-2008 5443-123-2012	Flat back <i>Fit turbos</i> 5439-970-0006 5439-970-0007 5439-970-0008 5439-970-0010 5439-970-0011 5439-970-0022				6 long 6 short
298	K03	5303-123-2011	Super back <i>Fit turbos</i> 5303-970-0003 5303-970-0006 5303-970-0007 5303-970-0008 5303-970-0015 5303-970-0016 5303-970-0017 5303-970-0020 5303-970-0036 5303-970-0069 5303-970-0070 5303-970-0077				4 long 4 short
298-1	K03	Bore: 4.00mm	Super back				4 long 4 short
401	K03	5303-123-2007	Super back <i>Fit turbos</i> 5303-970-0010 5303-970-0028				4 long 4 short
259	K03	5303-123-2021	Super back <i>Fit turbos</i> 5303-970-0009 5303-970-0018 5303-970-0023 5303-970-0024 5303-970-0050 5303-970-0051 5303-970-0056 5303-970-0057 5303-970-0061 5303-970-0062 5303-970-0063				4 long 4 short
520	K03	5303-123-2013 5303-123-2016 5303-123-2018	Super back <i>Fit turbos</i> 5303-970-0009 5303-970-0014 5303-970-0019 5303-970-0038 5303-970-0047 5303-970-0060				6 long 6 short
380	K04	5304-123-2000 <i>Bore : 4.61mm</i>	Super back <i>Fit turbos</i> 5304-970-0001 5304-970-0004 5304-970-0005 5304-970-0006 5304-970-0008 5304-970-0017				6 long 6 short
522	K04	5304-123-2032	Super back <i>Fit turbos</i> 5303-970-0048 5303-970-0104 5303-970-0120 5303-970-0121				6 long 6 short
449	K03	OEM is Billet	Super back				6 long 6 short
602	K03		Super back <i>Mix-flow style</i>				5 long 5 short

Wszystkie nazwy, numery i symbole użyte są wyłącznie w celach informacyjnych, nie oznacza to iż jakkolwiek część jest produktem tych producentów.

KKK							
KODE No.	Model	OEM P/N	Description	A Inducer Diameter	B Tip Height	C Exducer Diameter	Blades
567	KP/BV39	5443-123-2017 5443-123-2037	Mix-flow style <i>Fit turbos</i> 5439-970-0030 5439 970 0070				5 long 5 short
182	K03	5304-123-2007 5304-123-2018	Super back				6 long 6 short
551	K04	5304-123-2005 <i>Bore : 4.41mm</i>	Super back				6 long 6 short
525	K04		Super back				6 long 6 short
524	K04	5304-123-2023 5304-123-2223	Super back <i>Fit turbo</i> 5303-970-0146				6 long 6 short
600	K03	<i>Fit turbo</i> 5303-970-0090	Super back				6 long 6 short
296	K04	5304-123-2029	Super back <i>Fit turbos</i> 5303-970-0052 5303-970-0053 5303-970-0058 5303-970-0073 5303-970-0082 5304-970-0024 5303-970-0027 5303-970-0048				4 long 4 short
231	K04	5304-123-2201 5304-123-2204	Super back <i>Fit turbos</i> 5303-970-0034 5303-970-0054 5303-970-0071 5303-970-0072 5303-970-0075 5303-970-0076				6 long 6 short
258	K04	5304-123-2024	Super back <i>Fit turbos</i> 5303-970-0046 5303-970-0081 5303-970-0083 5303-970-0084 5303-970-0096				6 long 6 short
523	K04	5304-123-2202 5304-123-2208 5304-123-2222 5304-123-2228	Mix-flow style				6 long 6 short
224	K04	5304-123-2205	Mix-flow style				6 long 6 short
378	K04	5304-123-2036	Mix-flow style <i>Fit turbo</i> 5303-970-0086 5303-970-0087 5303-970-0105 5303-970-0106				6 long 6 short
375-1	K04		Mix-flow style <i>Length:25.7mm</i>				6 long 6 short
375-3	K04	<i>Fit turbo</i> 5304-970-0050	Mix-flow style <i>Length:27.7mm</i>				6 long 6 short
402	K06	5306-123-2006	Mix-flow style <i>Fit turbo</i> 5304-970-0033				6 long 6 short
369	K14	5314-123-2002 5314-123-2043	Flat back				6 long 6 short

KKK							
KODE No.	Model	OEM P/N	Description	A Inducer Diameter	B Tip Height	C Exducer Diameter	Blades
375	K06	5306-123-2007	Mix-flow style <i>Fit turbos</i> 5304-970-0049 5304-970-0059 Length:25 7mm				6 long 6 short
299	K16	5316-123-2002 5316-123-2004	Flat back				6 long 6 short
390	K16	5316-123-2001 5316-123-2003	Flat back				6 long 6 short
422	K16		Flat back				6 long 6 short
Garrett							
KODE No.	Model	OEM P/N	Description	A Inducer Diameter	B Tip Height	C Exducer Diameter	Blades
253	T2	410450-0012 410450-0004	Super back				6 long 6 short
487	T2	410450-0011	Super back				6 long 6 short
542	T2		Super back				6 long 6 short
488	T2	410450-0014	Super back				6 long 6 short
194	T2		Super back				6 long 6 short
345	T25	431350-0017 431350-0019	Super back				6 long 6 short
351	T25	431350-0001 431350-0007 431350-0015	Super back				6 long 6 short
471	T25	431350-0016	Super back				6 long 6 short
439	T25		Super back				6 long 6 short
486	T25	432348-0003	Super back				6 long 6 short
472	T25	447449-0011	Super back				6 long 6 short
344	T25	447449-0008	Super back				6 long 6 short
344-1	T25		Super back				6 long 6 short
352	T25		Super back				6 long 6 short
511	T25		Super back				6 long 6 short
288	T25	446335-0009	Super back				6 long 6 short
289	T25	446335-0010	Super back				6 long 6 short
174	GT15	702489-0002 702489-0006 702489-0009	Super back				6 long 6 short

Garrett							
KODE No.	Model	OEM P/N	Description	A Inducer Diameter	B Tip Height	C Exducer Diameter	Blades
158	T25	707747-0005	Super back				6 long 6 short
400	T25	445347-0003	Super back				6 long 6 short
470	T28	445436-0007	Super back				6 long 6 short
564	T28	445436-0009	Super back				6 long 6 short
184	T04B	409179-0025	Super back				8 long 8 short
282	T3		Super back				6 long 6 short
163	TB34	442293-0006	Super back				6 long 6 short
558	TBP4	442293-0012	Super back				6 long 6 short
313	T04E	442476-0011	Super back				6 long 6 short
314	T04E	442476-0017	Super back				6 long 6 short
189	TB34		Super back				6 long 6 short
216	T04E	442476-0014	Super back				6 long 6 short
559	TBP4	442293-0015	Super back				6 long 6 short
223	TB41	409535-0001	Super back <i>Fit turbo</i> 465981-0002				7 long 7 short
300	T04E		Super back				6 long 6 short
164	TBP4		Super back				6 long 6 short
205	TBP4	448048-0007	Super back				6 long 6 short
473	TBP4	451320-0005	Super back				6 long 6 short
166	TBP4	448112-0002	Super back				6 long 6 short
190	TBP4	448048-0004	Super back				6 long 6 short
196	TBP4		Super back				6 long 6 short
196-1	TBP4	727591-0004 <i>Thread:</i> 1/4-28UNF-LH	Super back				6 long 6 short
284	T4		Super back				7 long 7 short
283	T4		Super back				6 long 6 short
286	T4		Super back				6 long 6 short
309	TBP4	446618-0029	Super back				6 long 6 short

Wszystkie nazwy, numery i symbole użyte są wyłącznie w celach informacyjnych, nie oznacza to iż jakkolwiek część jest produktem tych producentów.

Garrett							
KODE No.	Model	OEM P/N	Description	A Inducer Diameter	B Tip Height	C Exducer Diameter	Blades
167	TBP4	446618-0026	Super back				6 long 6 short
197	TBP4	446618-0021	Super back				6 long 6 short
561	TBP4	446618-0024	Super back				6 long 6 short
217	T04E		Super back				6 long 6 short
217-1	T04E	Bore: 7.938mm	Super back				6 long 6 short
168	T04R	Fit turbo 465981-0007	Super back				6 long 6 short
613	TA45	443874-0017	Super back				6 long 6 short
238	TA45	441793-0010	Super back				6 long 6 short
356	TA45	441793-0018	Super back				6 long 6 short
233	TA45	444798-0001	Super back				6 long 6 short
248	TA45		Super back				6 long 6 short
315	TA51	441792-0011	Super back				6 long 6 short
218	T61		Super back				7 long 7 short
250	T66		Super back				6 long 6 short
366	T04S		Super back				7 long 7 short
210	T72		Super back				6 long 6 short
251	T77		Super back				6 long 6 short
251-1	T74		Super back				6 long 6 short
251-2	T80		Super back				6 long 6 short
301	UTV83	443121-0003	Super back				7 long 7 short
457	T18		Flat back				8 long 8 short
573	T18	408648-0013	Flat back				6 long 6 short
192	GT17	436132-0003 436132-0014 436334-0003 703925-0003 703925-0011 706164-0003	Super back				6 long 6 short
277	GT15	433246-0003	Flat back Fit turbos 454064/454065 454082/454083				6 long 6 short

Garrett							
KODE No.	Model	OEM P/N	Description	A Inducer Diameter	B Tip Height	C Exducer Diameter	Blades
266	TL92	447187-0002	Super back				7 long 7 short
395	GT12	Thread: M4.0*0.7-LH	Super back				6 long 6 short
396	GT12	434976-0005 Thread: M4.0*0.7-LH With Piston ring groove	Super back				6 long 6 short
605	GT12	786551-0001	Super back				6 long 6 short
601	GT12	Thread: M4*0.7-LH	Super back				6 long 6 short
516	GT12 (GT1544)	707067-0003 Thread: M4.0*0.7-LH	Super back				6 long 6 short
593	GTC1244V	786554-0003	Super back <i>Fit turbo</i> 775517-0001				6 long 6 short
606	GT1446SZ	Thread: M4.0*0.7-LH	Super back <i>Fit turbo</i> 784844-0001				6 long 6 short
318	GT15	Bore: 4.00mm	Super back				6 long 6 short
350	GT15	704771-0003	Super back				6 long 6 short
504	GT15	436133-0003	Super back				6 long 6 short
349	GT15	704771-0002	Flat back				6 long 6 short
337	GT15	737683-0003	Super back <i>Fit turbo 753420</i>				6 long 6 short
348	GT15	704771-0001	Super back				6 long 6 short
481	GT15	436133-0002	Super back				6 long 6 short
372	GT15	433287-0004 433287-0011	Super back				6 long 6 short
529	GT15	737686-0003	Super back <i>Fit turbos</i> 742110-0007 758532-0012 763647-0019				6 long 6 short
543	GT15	704768-0005	Super back <i>Fit turbos</i> 751851-0002 751851-0003				6 long 6 short
234	GT15	436624-0002	Super back <i>Fit turbos</i> 706976/706977 706978				6 long 6 short
513	GT17	702489-0003	Super back				6 long 6 short
228	GT15	436132-0002 436334-0002 703925-0002 703928-0002	Super back				6 long 6 short

Wszystkie nazwy, numery i symbole użyte są wyłącznie w celach informacyjnych, nie oznaczają to iż jakkolwiek część jest produktem tych producentów.

Garrett							
KODE No.	Model	OEM P/N	Description	A Inducer Diameter	B Tip Height	C Exducer Diameter	Blades
175	GT15	434812-0001 434812-0002	Super back				6 long 6 short
230	GT15	434812-0002	Super back				6 long 6 short
262	GT 15		Super back				6 long 6 short
507	GT17		Flat back				6 long 6 short
506	GT17		Super back				6 long 6 short
382	GT17	735492-0030	Super back <i>Fit turbo</i> 773721-0001				6 long 6 short
275	GT17		Super back				6 long 6 short
275-1	GT17		Super back				6 long 6 short
381	GT17	717694-0017	Super back <i>Fit turbo</i> 767837-0001				5 long 5 short
214	GT15	702489-0001 702489-0005	Super back				6 long 6 short
498	GT16	<i>Fit turbo</i> 757886-0004	Super back				6 long 6 short
193	GT15	436624-0001	Super back				6 long 6 short
383	GT17	717694-0016	Super back <i>Fit turbo</i> 773721-0001				5 long 5 short
547	GT17		Super back				6 long 6 short
279	GT17		Super back				6 long 6 short
503	GT17	436132-0001	Super back				6 long 6 short
530	GTA20	717697-0003	Super back <i>Fit turbos</i> 742110-0007 758532-0012 763647-0019				5 long 5 short
508-1	GT17	436131-0010 <i>Bore: 6.00mm</i>	Super back				6 long 6 short
235	GT22		Super back				6 long 6 short
336	GT20	451584-0022	Super back				6 long 6 short
508	GT17	436131-0003 436131-0019 436131-0021	Super back				6 long 6 short
183	GT17	702492-0001 702492-0004 436131-0005	Super back				6 long 6 short
568	GT17	735475-0002	Super back <i>Fit turbos</i> 752990-0006 769764-0003				6 long 6 short

Wszystkie nazwy, numery i symbole użyte są wyłącznie w celach informacyjnych, nie oznacza to iż jakkolwiek część jest produktem tych producentów.

Garrett							
KODE No.	Model	OEM P/N	Description	A Inducer Diameter	B Tip Height	C Exducer Diameter	Blades
514	GT18	702492-0011	Super back <i>Fit turbos</i> 454192-0006 718089-0004 718089-0005 718089-0006 718089-0008 742807-0003 742809-0005 742810-0005 755300-0005				6 long 6 short
183-1	GT17	436131-0002 436131-0016	Super back				6 long 6 short
509	GT20	451584-0007 436322-0006	Super back				6 long 6 short
206	GT17	No-standard	Super back				6 long 6 short
206-1	GT17	No-standard	Super back				6 long 6 short
596	GT22	Fit turbo 769040	Super back				5 long 5 short
335	GT20	451584-0020	Super back				6 long 6 short
297	GT22		Super back				6 long 6 short
207	GT17	436131-0001	Super back				6 long 6 short
581	GT20	451584-1022	Super back <i>Fit turbo</i> 708257-0001				6 long 6 short
577	GT25	436563-0003					6 long 6 short
261	GT20		Super back				6 long 6 short
545	GT22		Super back				6 long 6 short
485	GT20	701374-0003	Super back				6 long 6 short
510	GT20	436563-0012 737689-0003	Deep super back <i>Fit turbos</i> 716885-0001 716885-0002 716885-0003 716885-0004 757779-0010 762060-0006				6 long 6 short
510-1	GT20		Super back				6 long 6 short
518	GT22	Thread: M5*0.8-LH	Super back				6 long 6 short
585	GTB17	737689-0002	Super back <i>Fit turbo</i> 765314-0003				6 long 6 short
592	GT22	Fit turbo 769708	Super back				6 long 6 short
468	TD25 GT25	414802-0002 Thread: M5.0*0.8-LH	Super back				6 long 6 short

Garrett							
KODE No.	Model	OEM P/N	Description	A Inducer Diameter	B Tip Height	C Exducer Diameter	Blades
260	GT25	436563-0001 436563-0009	Deep Super back <i>Fit turbos</i> 700935/704361 711009/712541 715568/721204 727463/751758				6 long 6 short
483	GT25		Super back				6 long 6 short
226	GT25	701374-0001 701374-0006	Fit turbo 454191 BMW				6 long 6 short
438	GT25	436563-0009	Super back <i>Fit turbo</i> 765326-0002				6 long 6 short
517	GT25	Thread: M5*0.8-LH	Super back				6 long 6 short
413	GT25	737689-0001	Super back <i>Fit turbos</i> 757608-0001 761399-0001 765155-0004				6 long 6 short
437	GT23	743345-0001	Super back <i>Fit turbo</i> 733676-0003				6 long 6 short
414	GT23	702549-0011	Super back				6 long 6 short
544	GT23		Super back				6 long 6 short
541	GT25		Super back				6 long 6 short
531	GT23	702549-0008 702549-0014	Super back				6 long 6 short
515	GT23		Super back				6 long 6 short
595	GT25	Fit turbo 767851	Super back				6 long 6 short
431-1	GT25		Super back				6 long 6 short
353	GT25	720915-0004	Super back				5 long 5 short
527	GT25		Super back				5 long 5 short
353	GT25		Super back				5 long 5 short
546	GT25	Fit turbo 728989	Super back				5 long 5 short
519	GT25	Fit turbo 742730-0001	Super back				5 long 5 short
575	GT25	787571-0002	Super back				6 long 6 short
480	GT25C	447449-0010 <i>Fit T2 Style shaft</i> Bore: 6.0mm	Super back				6 long 6 short
285	GT30R	Fit turbos 700382-0011 700382-0012	Super back <i>For ball bearing</i>				6 long 6 short

Wszystkie nazwy, numery i symbole użyte są wyłącznie w celach informacyjnych, nie oznacza to iż jakkolwiek część jest produktem tych producentów.

Garrett							
KODE No.	Model	OEM P/N	Description	A Inducer Diameter	B Tip Height	C Exducer Diameter	Blades
330	GT28R GT30R	452546-0005 <i>Fit turbos</i> 743347-0002 743347-0004 700382-0003 700382-0007 700382-0019 700382-0024	Super back <i>For ball bearing</i>				6 long 6 short
448	GT30R	Fit turbo 700382-0023	Super back <i>For ball bearing</i>				6 long 6 short
425	GTP38R	703697-0001 <i>Reverse wheel</i> Thread: 1/4-28UNF-RH	Super back <i>Fit turbo</i> 727210-0001				5 long 5 short
374	GT32		Super back				6 long 6 short
374-1	GT32		Super back				6 long 6 short
583	GT35	Thread: M6.0*1.0-LH	Fit turbo 452134-0002				6 long 6 short
550	GT35	434244-0002 Thread: M6.0*1.0-LH	Super back				6 long 6 short
550-1	GT35		Super back				6 long 6 short
359	GT35	434292-0019 Thread: M6.0*1.0-LH	Super back				6 long 6 short
360	GT35		Super back				6 long 6 short
364	GT35	Reverse wheel	Super back				9 long
612	GT37	434441-0001 Thread: M7.0*1.0-LH	Super back				6 long 6 short
357	GT37	722142-0024 Thread: M7.0*1.0-LH	Super back				7 long 7 short
358	GT37		Super back				7 long 7 short
363	GT37	448856-0009 Thread: M7.0*1.0-LH	Super back				6 long 6 short
354	GT37		Super back				7 long 7 short
563	GT37	For VAS turbo Thread: M7.0*1.0-LH	Super back <i>Fit turbo</i> 743250-0004				7 long 7 short
611	GT37	448856-0013	Super back <i>(M7.0*1.0-LH)</i>				6 long 6 short
565	GT40	451644-0005 <i>Bore: 6.35mm</i>	Super back				6 long 6 short
474	GT40	434354-0012 Thread: M8.0*1.25-LH	Super back				6 long 6 short
308	GT40	434354-0007 Thread: M8.0*1.25-LH	Super back				6 long 6 short

Wszystkie nazwy, numery i symbole użyte są wyłącznie w celach informacyjnych, nie oznacza to iż jakkolwiek część jest produktem tych producentów.

Garrett							
KODE No.	Model	OEM P/N	Description	A Inducer Diameter	B Tip Height	C Exducer Diameter	Blades
443	GT40		Super back				6 long 6 short
589	GT42	Thread: 1/4-28UNF-RH Reverse wheel	Super back				6 long 6 short
580	GT42	451193-0005 Thread: M8.0*1.25-LH	Super back				6 long 6 short
406	GT42	451162-0002	Super back				6 long 6 short
582	GT42	434335-0049 Thread: M8.0*1.25-LH	Super back Fit turbo 714311-0001				6 long 6 short
619	GT47	OEM is Billet	Super back				7 long 7 short
464	GTA40	Thread: M8.0*1.0-LH	Super back				6 long 6 short
614	GTA42	Thread: M8.0*1.0-LH	Super back				6 long 6 short
480	GTA42	Thread: M8.0*1.0-LH	Super back				6 long 6 short
572	GTA45	Fit turbo 758160-0007 Thread: M8.0*1.0-LH OEM is Billet	Super back				7 long 7 short
430	GTA47	451936-0001 Thread: 3/8-16UNF-LH	Super back				6 long 6 short
494	GTA47	704746-0020 Thread: 3/8-16UNF-LH	Super back				6 long 6 short
492	GTA47	Thread: 3/8-16UNF-LH	Super back				6 long 6 short
493	GTA55	704746-0002 Thread: 3/8-16UNF-LH	Super back				6 long 6 short
615	GTA55	449207-0022 Thread: 3/8-16UNF-LH	Super back				6 long 6 short
562	GT145		Super back				8 long 8 short
539	GT170	OEM is Billet	Super back				8 long 8 short
539-1	GT170	OEM is Billet	Super back				8 long 8 short
Schwitzer							
KODE No.	Model	OEM P/N	Description	A Inducer Diameter	B Tip Height	C Exducer Diameter	Blades
616	S100G		Super back				6 long 6 short
404	S2A	197287 Bore: 6.5mm	Super back				7 long 7 short
240	S2B		Super back				7 long 7 short

Schwitzer							
KODE No.	Model	OEM P/N	Description	A Inducer Diameter	B Tip Height	C Exducer Diameter	Blades
240-1	S2B		Super back				7 long 7 short
571	S2B	314508	Super back <i>Fit turbos</i> 314448 314450 315961 315981 317809 317810 317825				6 long 6 short
578	S200	Fit turbo 5620-970-0017	Super back				7 long 7 short
305	S200	167731	Super back				7 long 7 short
410	S2E	166835	Super back				7 long 7 short
411	S2E	166891	Super back				7 long 7 short
306	S2EL	194786	Super back				7 long 7 short
307	S2EL	169110	Super back				7 long 7 short
325	S3A		Super back				7 long 7 short
415	S3A	314802	Super back				7 long 7 short
467	S3B		Super back				6 long 6 short
346	S3B		Super back				7 long 7 short
460	S3A S3B	313412	Super back				7 long 7 short
387	S3B	315142	Mix-flow style				7 long 7 short
324	S300		Mix-flow style				7 long 7 short
412	S300	175318	Mix-flow style				7 long 7 short
303	S400	168770	Mix-flow style				7 long 7 short
304	S400	317478	Mix-flow style				7 long 7 short
579	S400	168770	Super back				7 long 7 short
579-1	S400		Mix-flow style				7 long 7 short
540	S410	317489	Mix-flow style				7 long 7 short
570	S610C		Mix-flow style				8 long 8 short
211	3LM	188927	Flat back				7 long 7 short
302	4LGZ	510916	Flat back				7 long 7 short

Wszystkie nazwy, numery i symbole użyte są wyłącznie w celach informacyjnych, nie oznacza to iż jakkolwiek część jest produktem tych producentów.

Schwitzer							
KODE No.	Model	OEM P/N	Description	A Inducer Diameter	B Tip Height	C Exducer Diameter	Blades
532	4LE		Flat back				6 long 6 short
385	4MF	5252-123-2009	Flat back				7 long 7 short
268	4MF	183900	Flat back				7 long 7 short
266	4MD	140315	Flat back				7 long 7 short
271	4HF	140922	Flat back				7 long 7 short
Holset							
KODE No.	Model	OEM P/N	Description	A Inducer Diameter	B Tip Height	C Exducer Diameter	Blades
160-2	HX25	3539071	Super back				6 long 6 short
172-1	H1C/H1E	3599642 3504649	Super back				8 long 8 short
172-2	H1C/H1E	3599592	Super back				8 long 8 short
172-3	H1C/H1E		Super back				8 long 8 short
172-4/	H1C/H1E	3599637	Super back				8 long 8 short
172-52	H1C/H1E	3599638 3537168	Super back				8 long 8 short
172-5-1	H1C/H1E	3599638 3537168	Super back				8 long 8 short
172-5-2	H1C/H1E	3599638 3537168	Super back				8 long 8 short
172-6	H1C/H1E	3599639	Super back				8 long 8 short
172-7	H1C/H1E	3599641 3537150	Super back				8 long 8 short
172-8	H1C/H1E	3522824 3537150 3599641	Super back				8 long 8 short
172-9	H1C/H1E	3599642	Super back				8 long 8 short
172-10	H1C/H1E	3599643	Super back				8 long 8 short
172-11	H1C/H1E	3599644	Super back				8 long 8 short
172-12	H1C/H1E	3599645	Super back				8 long 8 short
172-13	H1C/H1E	3537156	Super back				8 long 8 short
172-15	HX35	3599649	Super back				7 long 7 short
172-16	HX35		Super back				8 long 8 short
172-17	HX35	3532312	Super back				7 long 7 short

Wszystkie nazwy, numery i symbole użyte są wyłącznie w celach informacyjnych, nie oznacza to iż jakkolwiek część jest produktem tych producentów.

Holset							
KODE No.	Model	OEM P/N	Description	A Inducer Diameter	B Tip Height	C Exducer Diameter	Blades
172-17-1	HX40	3599586	Super back				8 long 8 short
172-18	HX35	3599587	Super back				8 long 8 short
172-19	HX35	3599588	Super back				8 long 8 short
172-20	HX35	3599589	Super back				8 long 8 short
172-21	HX40	3599591	Super back				8 long 8 short
172-222	HX40W	3599592	Super back				8 long 8 short
172-23	HX35	3599593	Super back				8 long 8 short
172-24	HX35W	3599594 3599646	Super back				8 long 8 short
172-25	HX35	3599595	Super back				8 long 8 short
172-26	HX40W	3599550	Super back				6 long 6 short
376	H1C	3521863	Super back				7 long 7 short
584	H1C	4027320	Flat back				7 long 7 short
343	H2C		Super back				7 long 7 short
617	H2D	Fit turbo 3525994	Super back				8 long 8 short
334	HX30	3599693	Super back				6 long 6 short
441	HX40		Super back				8 long 8 short
442	HX40	3599539	Super back				8 long 8 short
339	HX40	4035879	Super back				7 long 7 short
338	HX50	3593688	Super back				7 long 7 short
405	HX50	For Master power (807575) Bore: 7.93mm	Super back				7 long 7 short
409	HX55	359918	Super back				8 long 8 short
429	HX60	3534650	Super back				8 long 8 short
429-1	HX60	3590461	Super back				8 long 8 short
429-2	HX60	3539123	Super back				8 long 8 short
429-3	HX60	3534648	Super back				8 long 8 short
599	HY40V	3599018	Super back				7 long 7 short

Wszystkie nazwy, numery i symbole użyte są wyłącznie w celach informacyjnych, nie oznacza to iż jakkolwiek część jest produktem tych producentów.

Holset							
KODE No.	Model	OEM P/N	Description	A Inducer Diameter	B Tip Height	C Exducer Diameter	Blades
590	HX40V	3537972	Super back <i>Fit turbo 3591880</i>				6 long 6 short
591	HY55V	3593629	Super back				7 long 7 short
592	HY55V	3592938	Super back				7 long 7 short
607	HY55V	3597224	Super back				8 long 8 short
263	HT3B HT60	3527047	Super back				8 long 8 short
263-1	HT3B HT60	Bore: 8.00mm	Super back				8 long 8 short
557	HT3B HT60	3531538	Flat back				8 long 8 short
534	HC5A		Super back				8 long 8 short
609	HT4B	Reverse wheel	Super back				9 long 9 short
608	HX82	3593927	Super back				8 long 8 short
MHI							
KODE No.	Model	OEM P/N	Description	A Inducer Diameter	B Tip Height	C Exducer Diameter	Blades
179	TD07		Super back				6 long 6 short
179-1	TD07	Bore: 5.7mm	Super back				6 long 6 short
204	TD06		Super back				6 long 6 short
204-1	TD06	Bore: 5.7mm	Super back				6 long 6 short
204-2	TD06	Bore: 6.35mm	Super back				6 long 6 short
200	TD08		Super back				7 long 7 short
420	TD10		Super back				12 long
465	TD13		Super back				8 long 8 short
610	TD13		Super back				10 long 10 short
373	TD02	Fit Turbo 49130-01610	Flat back Reverse wheel				6 long 6 short
256-1	TD02	Fit turbos 49173-07502 49173-07507	Flat back <i>Tip height:4.1mm</i>				6 long 6 short
317	TD03	Fit turbos 49131-06003 49131-04300	Super back				6 long 6 short
377	TD04	Fit turbos 49135-06020 49177-02551	Super back TD04-10T				6 long 6 short

MHI							
KODE No.	Model	OEM P/N	Description	A Inducer Diameter	B Tip Height	C Exducer Diameter	Blades
227	TD03		Super back				6 long 6 short
256	TD02	49173-00015 49173-06500	Flat back <i>Tip height:4.4mm</i>				6 long 6 short
249	TD03	Fit turbos 49173-02401 49173-02410 49173-02412	Super back				6 long 6 short
598	TD03		Super back				6 long 6 short
292	TF035	TF035HL	Super back				6 long 6 short
292-1	TF035	Bore: 4.00mm	Super back				6 long 6 short
478	TD04	49171-41410 <i>TD04-09B</i>	Flat back				12 long
232	TD04	49177-44200	Flat back				6 long 6 short
225	TD04	49177-44400 <i>TD04-12T</i>	Flat back				6 long 6 short
320	TD04	49135-00016	Super back				6 long 6 short
257	TD04	49177-43300	Super back				6 long 6 short
578	TD04	Fit turbo 49377-07421	Super back				6 long 6 short
397	TF035	Fit turbo 49135-07100 <i>TF035HL</i>	Super back				6 long 6 short
479	TF035	Fit turbo 49135-05671 <i>TF035HL</i>	Super back				6 long 6 short
497	TD04	For MD44	Super back				6 long 6 short
384	TD04	49177-43400 TD04-14T	Super back <i>Fit turbos</i> 49177-02640 49377-00100 49377-00110 49377-00120 49377-02100 49377-06000 49377-06010 49377-06150 49377-06160 49377-06213 49377-07000 49377-07010 49377-07050 49377-07070 49377-07310				6 long 6 short
367	TD04	49377-00017 <i>TD04-13T</i>	Super back <i>Fit turbos</i> 49377-04200 49377-04300				6 long 6 short
386	TD04	49189-43500 <i>TD04-15T</i>	Super back				6 long 6 short
160-1	TD04	49189-00016 49189-43600 <i>TD04-16T</i>	Super back				6 long 6 short

Wszystkie nazwy, numery i symbole użyte są wyłącznie w celach informacyjnych, nie oznacza to iż jakkolwiek część jest produktem tych producentów.

MHI							
KODE No.	Model	OEM P/N	Description	A Inducer Diameter	B Tip Height	C Exducer Diameter	Blades
160	TD04	49189-40300 <i>TD04HL15G-8.5</i>	Flat back				6 long 6 short
226	TD04	49189-43800 <i>TD04-18T</i>	Super back <i>Fit turbos</i> 49189-01370 49189-01375				6 long 6 short
219	TD04	49189-43900 <i>TD04-19T</i>	Super back <i>Fit turbos</i> 49189-05310 49189-05400				6 long 6 short
219-1	TD04 t		Super back				6 long 6 short
219-2	TD04		Super back				6 long 6 short
219-3	TD04		Super back				6 long 6 short
555	TD05	49179-42100 <i>TD05-16G (Evo3)</i>	Super back				6 long 6 short
312	TD05	49179-43300 <i>TD05-18G</i>	Super back				6 long 6 short
203	TD05	49179-43400 <i>TD05-20G</i>	Super back				6 long 6 short
203-1	TD05		Super back				6 long 6 short
203-2	TD05	49179-43200 <i>TD05-16G „Big”</i>	Super back				6 long 6 short
203-3	TD05	Bore: 5.7mm	Super back				6 long 6 short
290	TD06		Flat back				7 long 7 short
291	TD06		Flat back				7 long 7 short
202	TD06		Super back				6 long 6 short
202-1	TD06	Bore: 5.7mm	Super back				6 long 6 short
202-2	TD06	Reverse wheel	Super back				6 long 6 short
246	TD06	49168-41300	Super back				6 long 6 short
450	TD06	Reverse wheel	Super back				7 long 7 short
620	TE06		Super back				7 long 7 short
574	TD07						7 long 7 short
178	TD07		Super back				12 long
Hitachi							
KODE No.	Model	OEM P/N	Description	A Inducer Diameter	B Tip Height	C Exducer Diameter	Blades
280	HT10		Flat back				5 long 5 short

IHI							
KODE No.	Model	OEM P/N	Description	A Inducer Diameter	B Tip Height	C Exducer Diameter	Blades
466	RHF3		Super back				6 long 6 short
434	RHF3	For Turbo VL20	Super back				5 long 5 short
604	RHF4V	Fit Turbos VJ36, VJ37	Super back				6 long 6 short
212	RHF4		Super back				6 long 6 short
549	RHF4	For Turbo VJ30	Super back				6 long 6 short
398	RHF5	Fit Turbo 8971480750	Super back				6 long 6 short
552	RHF4	For Turbo VJ32	Super back				7 long 7 short
553	RHF4	For Turbo VV14	Super back				10 long
533	RHF5	For ball bearing	Super back				5 long 5 short
341	RHF5		Super back				10 long
428	RHB5		Flat back				5 long 5 short
362	RHB5		Super back				5 long 5 short
426	RHF		Super back				5 long 5 short
426-1	RHF		Super back				5 long 5 short
536	RHC6		Super back				6 long 6 short
173	RHC6		Super back				6 long 6 short
537	RHE6	Fit turbo VA720033	Super back				6 long 6 short
180	RHE6		Super back				6 long 6 short
181	RHE6		Super back				6 long 6 short
181-1	RHE6		Super back				6 long 6 short
287	RHX6	For ball bearing	Super back				5 long 5 short
340	RHC6		Super back				5 long 5 short
264	RHC7		Super back				5 long 5 short
241	RHC7		Super back				6 long 6 short
242	RHC7		Super back				6 long 6 short
495	RHC7		Super back				6 long 6 short

IHI							
KODE No.	Model	OEM P/N	Description	A Inducer Diameter	B Tip Height	C Exducer Diameter	Blades
243	RHE7		Super back				6 long 6 short
244	RHE7		Super back				6 long 6 short
245	RHE7		Super back				6 long 6 short
556	RH110		Super back				12 long
Toyota							
KODE No.	Model	OEM P/N	Description	A Inducer Diameter	B Tip Height	C Exducer Diameter	Blades
399	CT-Yaris	Fit turbo 17201-33010	Super back				5 long 5 short
462	CT9		Super back				4 long 4 short
247	CT	Fit turbo 17201-30080	Super back				6 long 6 short
560	CT	OEM is Billet CW	Super back				6 long 6 short
458	CT12	Fit turbo 17201-0L040	Super back				6 long 6 short
213	CT12B	Bore: 5.7mm	Super back				5 long 5 short
176	CT12B	Fit turbos 17201-67010 17201-67040	Super back				5 long 5 short
293	CT12B	Bore: 6.5mm	Super back				5 long 5 short
489	CT20	Fit turbo 17201-54030	Super back				5 long 5 short
482	CT20		Super back				6 long 6 short
237	CT26	Fit turbo 17201-42020 Bore: 5.7mm	Super back				5 long 5 short
237-1	CT26	Bore: 5.7mm	Flat back (With depth)				5 long 5 short
237-2	CT26	Bore: 5.7mm	Flat back (With depth)				5 long 5 short
237-3	CT26	Bore: 6.5mm	Super back				5 long 5 short
237-4	CT26	Bore: 6.5mm	Super back				5 long 5 short
276	CT26	Fit turbos 17201-17010 17201-17030 17201-42060 17201-74010 17201-74020 17201-74030	Flat back (With depth)				5 long 5 short

Komatsu							
KODE No.	Model	OEM P/N	Description	A Inducer Diameter	B Tip Height	C Exducer Diameter	Blades
618	KTR110	Reverse wheel	Mix-flow style				9 long 9 short
CZ							
KODE No.	Model	OEM P/N	Description	A Inducer Diameter	B Tip Height	C Exducer Diameter	Blades
586	C12	3601-209C	Super back				6 long 6 short
451	C14	399-3601-430	Super back				6 long 6 short
452	K27	2902-020S	Flat back				6 long 6 short
453	K36	399-0902-033	Flat back				7 long 7 short
TKR							
KODE No.	Model	OEM P/N	Description	A Inducer Diameter	B Tip Height	C Exducer Diameter	Blades
588	TKR-7C6		Super back				8 long 8 short
Other							
KODE No.	Model	OEM P/N	Description	A Inducer Diameter	B Tip Height	C Exducer Diameter	Blades
156	J35						6 long 6 short
461	K-027		Flat back				12 long
465	J70		Flat back				7 long 7 short
169	J90						7 long 7 short
603	J90		Super back				6 long 6 short
170	J95						6 long 6 short
267	HNYL-5	4827-17	Super back				6 long 6 short
252	Komatsu-6						7 long 7 short
329	JMB	T180	Super back				8 long 8 short
408	YL-16		Super back				7 long 7 short
273	HNYL-13		Super back				6 long 6 short
407	S50-04	QC2759	Flat back				6 long 6 short
447	SV45		Super back				6 long 6 short
424	YJP60		Super back				6 long 6 short